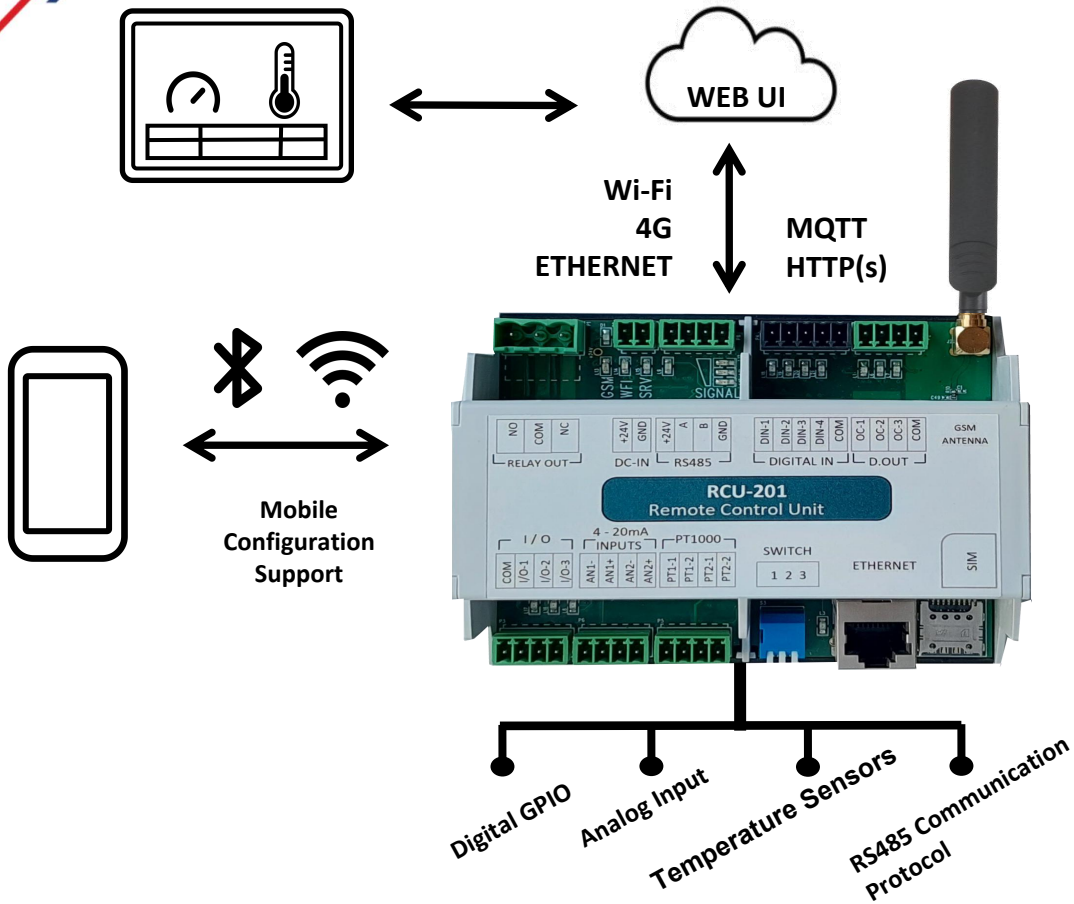


RCU-201

Remote Control&Monitoring Solutions



RCU-201 is an IoT gateway designed for industrial applications, remote monitoring, control, automation applications. It supports network interfaces such as cellular 4G, Wi-Fi, Ethernet, and HTTP(s) and MQTT protocols. It has rich analog and digital input-output interfaces and PT1000 temperature sensor inputs.

Functions and Benefits

- Remote machine/energy measuring device management via ModBus
- Remote analog/digital sensor reading
- Industrial 4-20mA sensor support
- Bluetooth support
- Industrial precision temperature measurement (PT1000)
- Relay applications controlled via the cloud
- Multiple network connection options (Ethernet, 4G LTE, Wi-Fi)



RCU-201

Remote Control&Monitoring Solutions

Technical Specifications

Hardware

- Size : 9*11*7(L*W*H) cm
- Input Voltage : 9 - 30 V DC
- Power Consumption : max: 5W
- Operating Conditions : -20 ~ 70°C, 5 ~ 95% RH
- Wi-Fi : 802.11 b/g/n, 2.4GHz
- Cellular Connectivity : LTE 4G CAT-1
- Ethernet : 1 pcs RJ45, 10/100 Mbps
- Bluetooth : Bluetooth 4.2
- RS485 : 1 port RS485, ModBus support
- 4-20 mA analog input : 2 port, ~%1 accuracy
- PT1000 temperature sensor : 2 port, ~0.5 accuracy
- Supported I/O pins
 - Digital Input : 4 port, max: 40V
 - Open-Collector : 3 port, 0~30V, max: 0.2A cont. , 0.8A peak.
 - Optional inputs/outputs : 3 port, 24V, Source/Sink current: 2A
- Relay Output : 1 pcs, max: 16A@220V

Software

- IoT server support : Letta IoT server, Azure, AWS
- Messaging protocols : HTTPS, MQTTS
- Supported Network Connections : ETHERNET, Wi-Fi, 4G LTE
- Configurable with Bluetooth mobile app
- Remote update support
- RS485, ModBus RTU protocol support



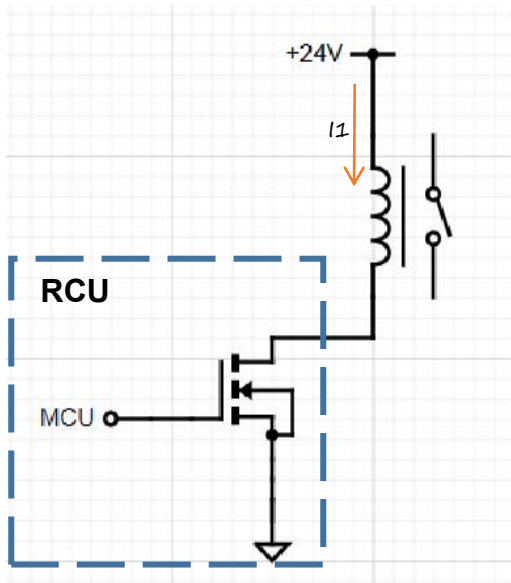
Port Details

Open Collector Outputs

Open Collector Port Specifications:

- Continuous Current (I_1) : 0.2 A
- Repetitive Max Current : 0.8 A
- Operating Voltage : 5 - 30V DC

Typical Application Circuit:



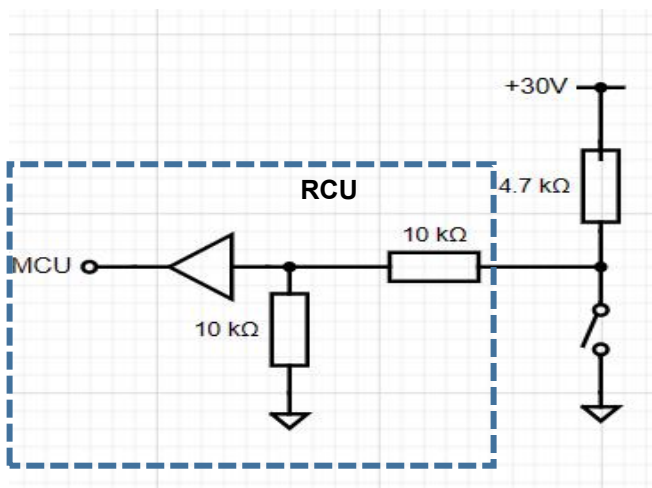
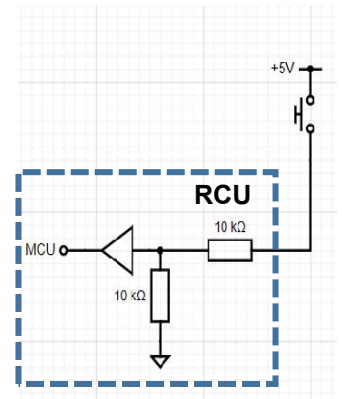
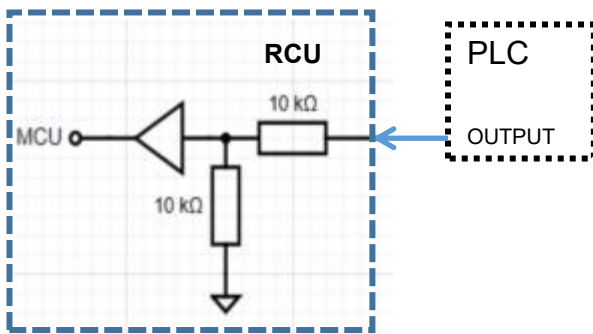
Port Details

Digital Inputs

Digital Input Port Specifications:

- Max Input Voltage : 30V DC
- Min Lojik High Level : 4V DC
- Max Lojik Low Level : 2V DC
- Input Impedance : 20K Ohm
- Internal Pull-Down : 10K Ohm

Typical Application Circuits:



Port Details

Digital Inputs

Configurable Digital Input/Output Port Details:

Can be configured as Input or output by software.

Input Stage Specifications:

Please refer to Digital Input Port Specifications.

Output Stage Specifications:

- Min Output High Voltage : $VCC - 0.7$ (DC Supply of RCU)
- Max Output Low Voltage : $0.7V$
- Nominal Source Current : $2A$
- Nominal Sink Current : $2A$

Typical Application Circuits:

